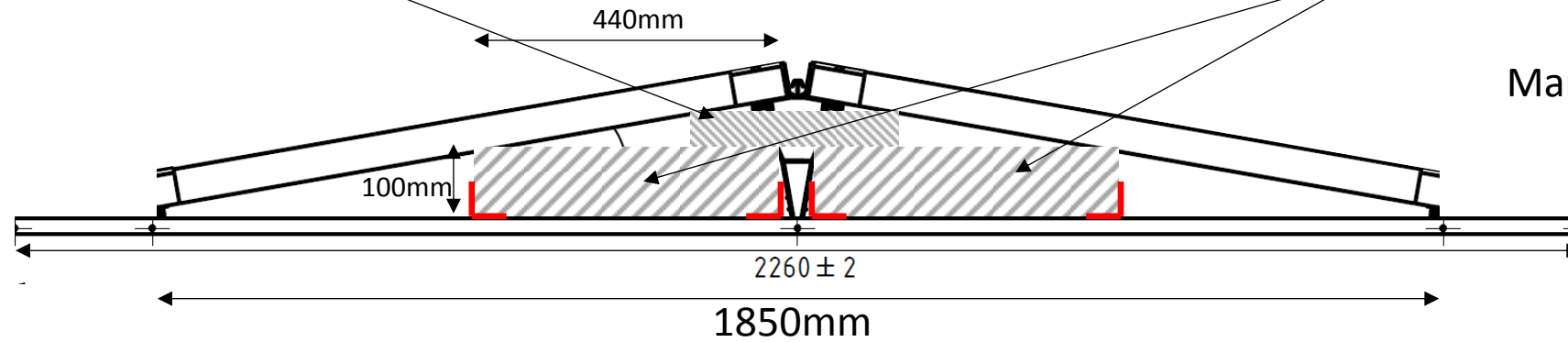


DUO E-W

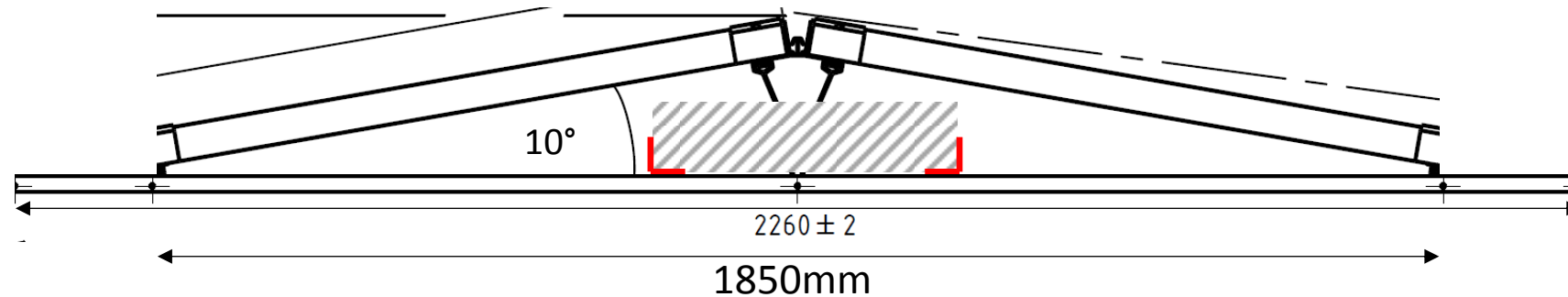
L Ballast angle (sold as a pair) 50 x 50 x 1800mm

600 x 300 x 50mm block
Travis Perkins part 809364
21.7kg

440 x 100 x 215mm block
Travis Perkins part 700064
18.7kg



Many other blocks are available!



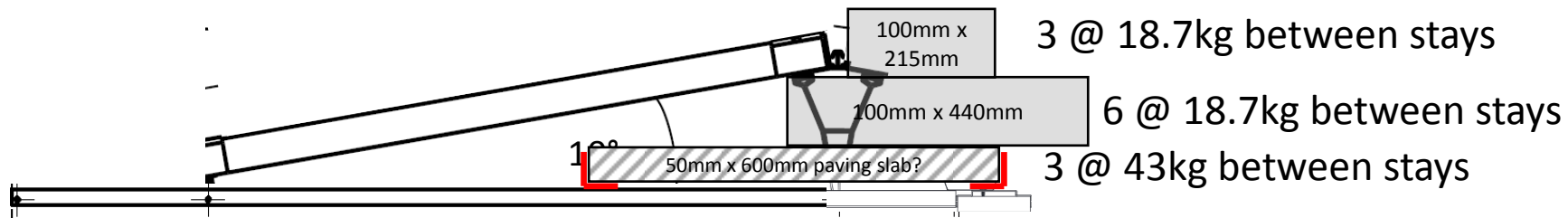
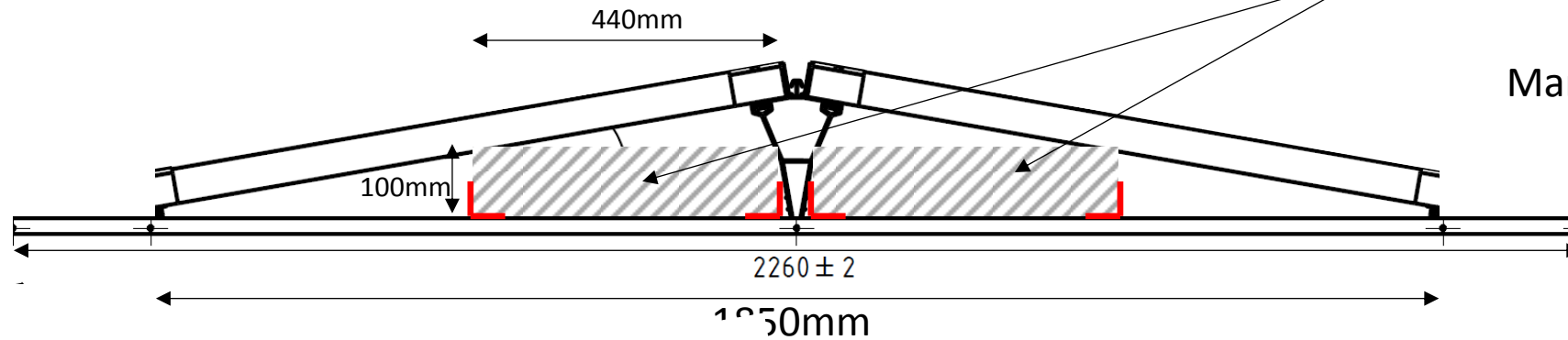
Ballast can be shared as long as the total sum is met

DUO E-W

L Ballast angle (sold as a pair) 50 x 50 x 1800mm

440 x 100 x 215mm block
 Travis Perkins part 700064
 18.7kg

Many other blocks are available!



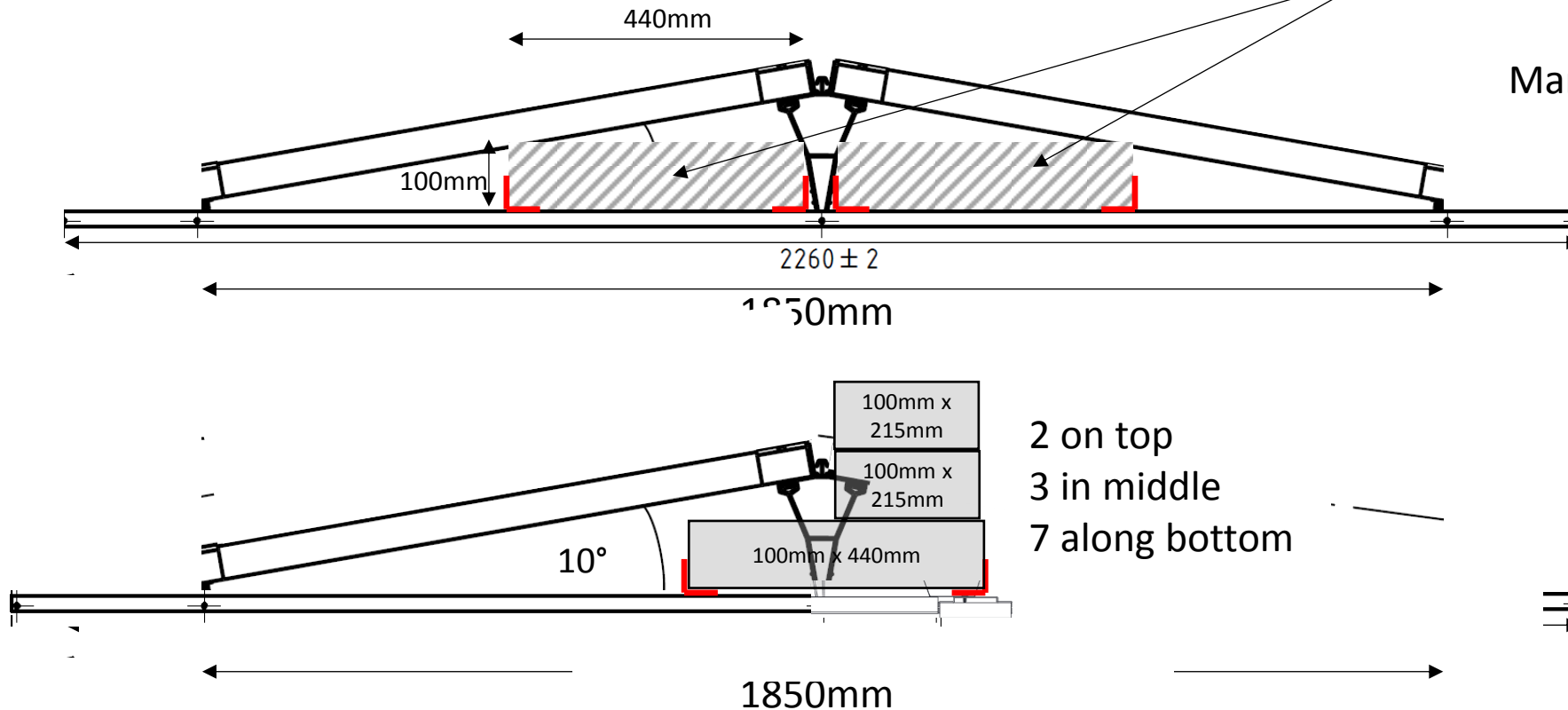
Ballast can be shared
 as long as the total
 sum is met

DUO E-W

L Ballast angle (sold as a pair) 50 x 50 x 1800mm

440 x 100 x 215mm block
 Travis Perkins part 700064
 18.7kg

Many other blocks are available!



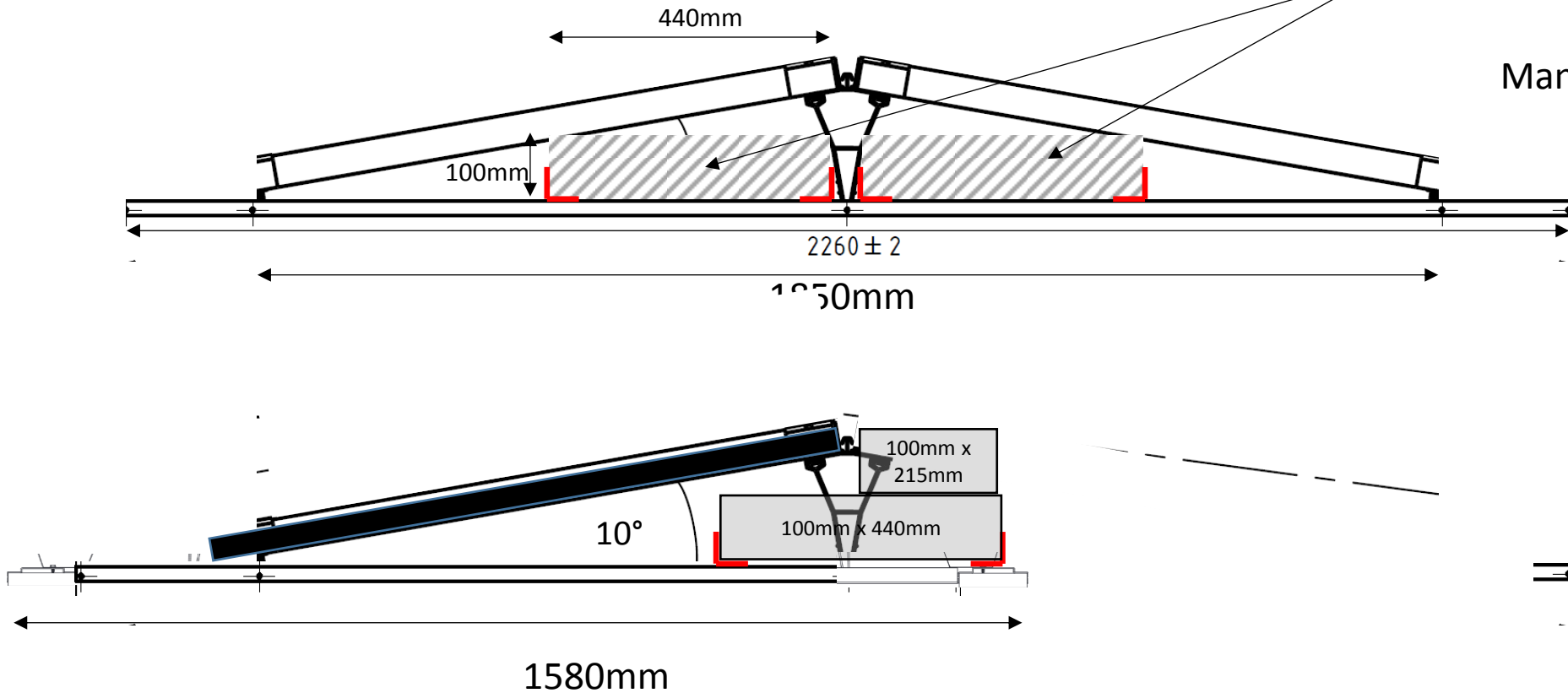
Ballast can be shared as long as the total sum is met

DUO E-W

L Ballast angle (sold as a pair) 50 x 50 x 1800mm

440 x 100 x 215mm block
 Travis Perkins part 700064
 18.7kg

Many other blocks are available!



Ballast can be shared as long as the total sum is met

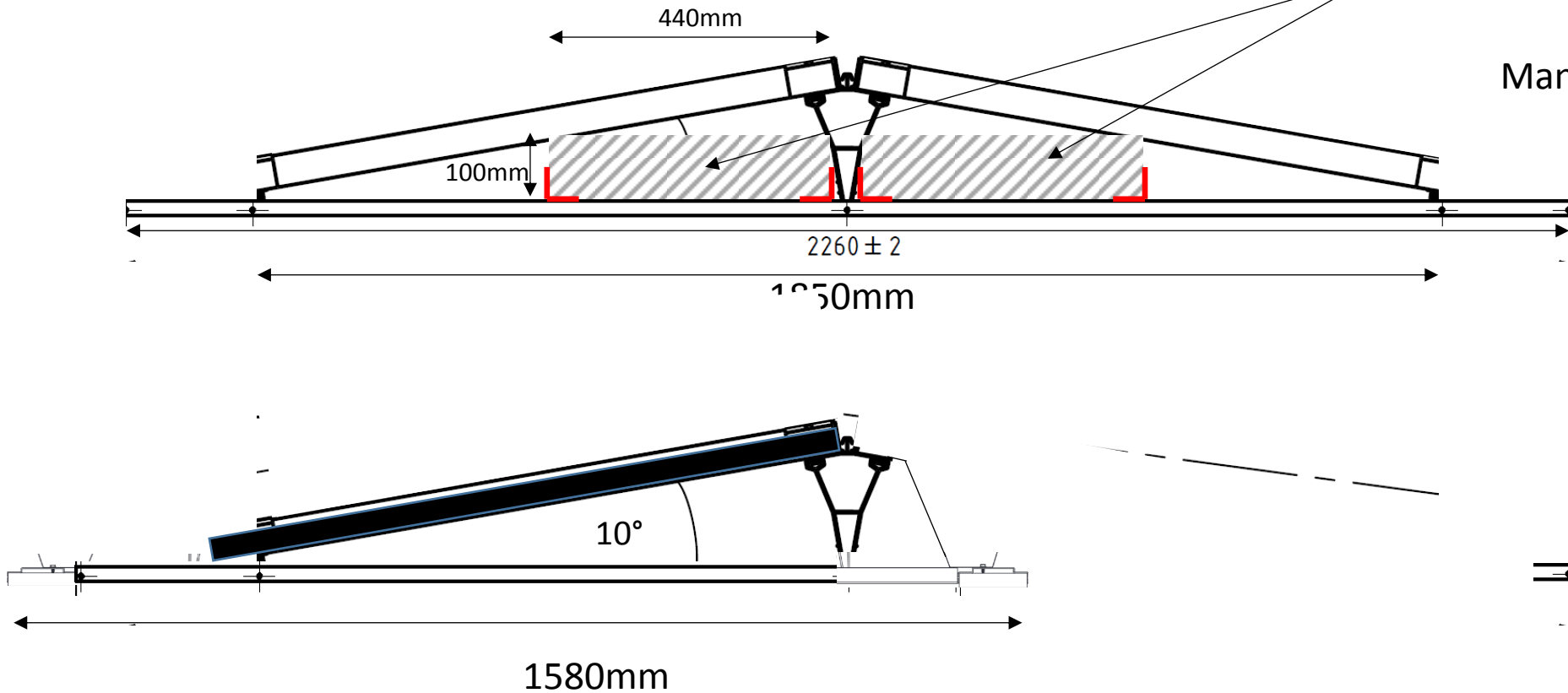
50mm x 50mm paving slab?

DUO E-W

L Ballast angle (sold as a pair) 50 x 50 x 1800mm

440 x 100 x 215mm block
 Travis Perkins part 700064
 18.7kg

Many other blocks are available!



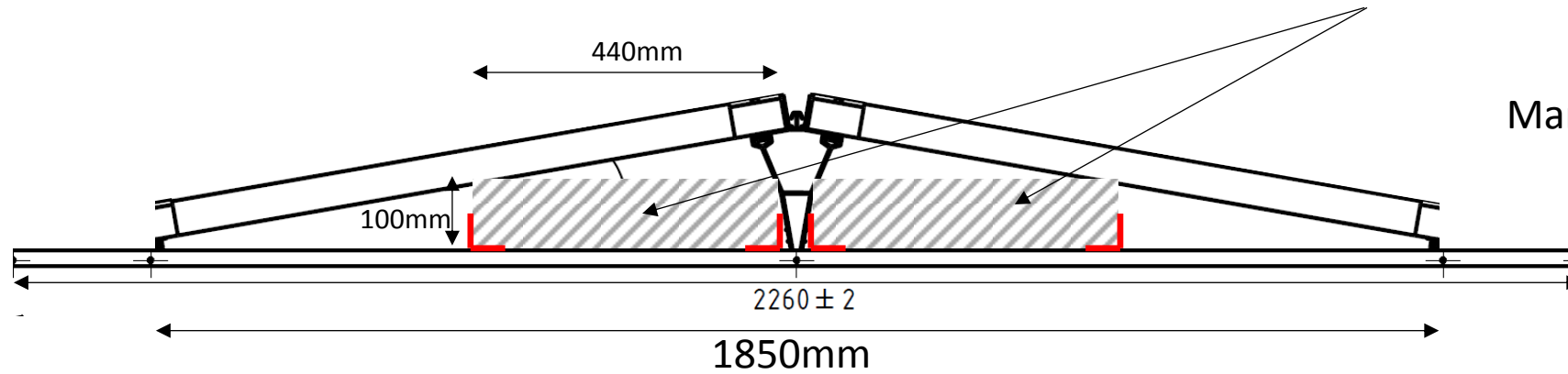
Ballast can be shared
 as long as the total
 sum is met

50mm x 50mm paving slab

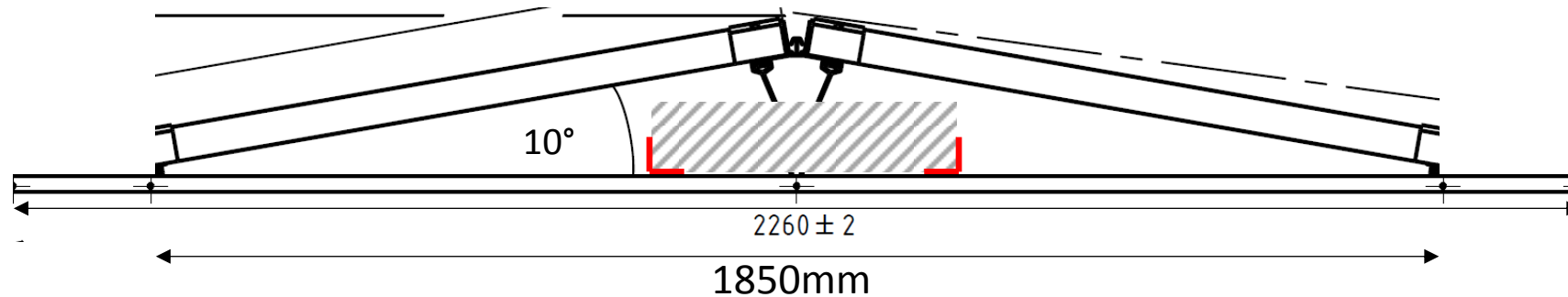
DUO E-W

L Ballast angle (sold as a pair) 50 x 50 x 1800mm

440 x 100 x 215mm block
18.7kg



Many other blocks are available!



Ballast can be shared
as long as the total
sum is met