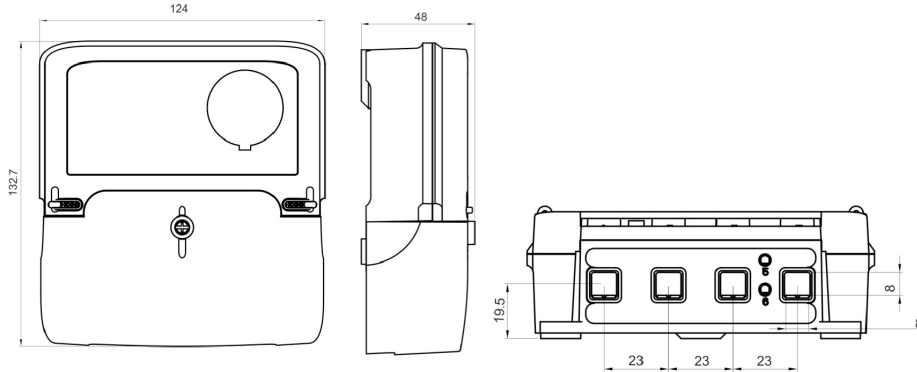


Display Code	Meaning
000	Import KWh
010	Export KWh
→	Wiring reversed



Please Note

The meter is intended to be installed in a Mechanical Environment 'M1', with Shock and Vibrations of low significance, as per 2004/22/EC Directive. The meter is intended to be installed in Electromagnetic Environment 'E2', as per 2004/22/EC Directive.

Installation of this device may only be performed by qualified personnel.

Technical support

In case you have any questions about our product, please contact Rayleigh Instruments on 01245 428500.

Attention

The Meter housing is sealed. Warranty is void if the seal is broken or removed





**Rayleigh
Instruments
Limited**

DECLARATION OF CONFORMITY

According to Directive 2004/22/EC

Report Ref: TCM221/09-4696

Issued: 7th June 2012

Compiled by Český Metrologický Institut

Product : Single Phase Energy Meter

Model No. : RIHXE12R

Rating : 100A

Output : SO. Pulse

The test sample has been tested in accordance with the requirements of

Directive 2004/22/EC as stated on certificate TCM221/09-4696

The technical documentation required to demonstrate that the products meet the requirements of the above EU directives has been compiled and is available for inspection by relevant enforcement authorities.



Approved by/Date 

Rayleigh Instruments Limited
Raytel House, Cutlers Road, South Woodham Ferrers,
Essex, CM3 5WA
Tel. 01245428500 Fax 01245428559
Web. www.rayleigh.co.uk

RIHXE12R 230V 5(100)A LCD

Single Phase Energy Meter – 100A Direct MID With Pulsed Output

Current Range	5 (100)A
Voltage Range	230V ± 20%
Impulse Constant (Red LED)	1000 Impulse / kWh
Accuracy Class	B
Declaration Of Conformity	D
Frequency	50Hz ± 10%
Display	6+2 = 999999.99 kWh LCD
Temperature Range	-25°C to 70°C
Max Relative Humidity	Short time value 95%
Standards	EN50470-1 / EN50470-3
Power Consumption	≤10VA ≤2.0W
Pulse Output	1000 Imp/kWh RL = 1 Wh/Imp RA= 1Wh/Imp S0-Standard DIN 43864
Pulse Width	80mS
Maximum Terminal Wire mm²	35mm ²

